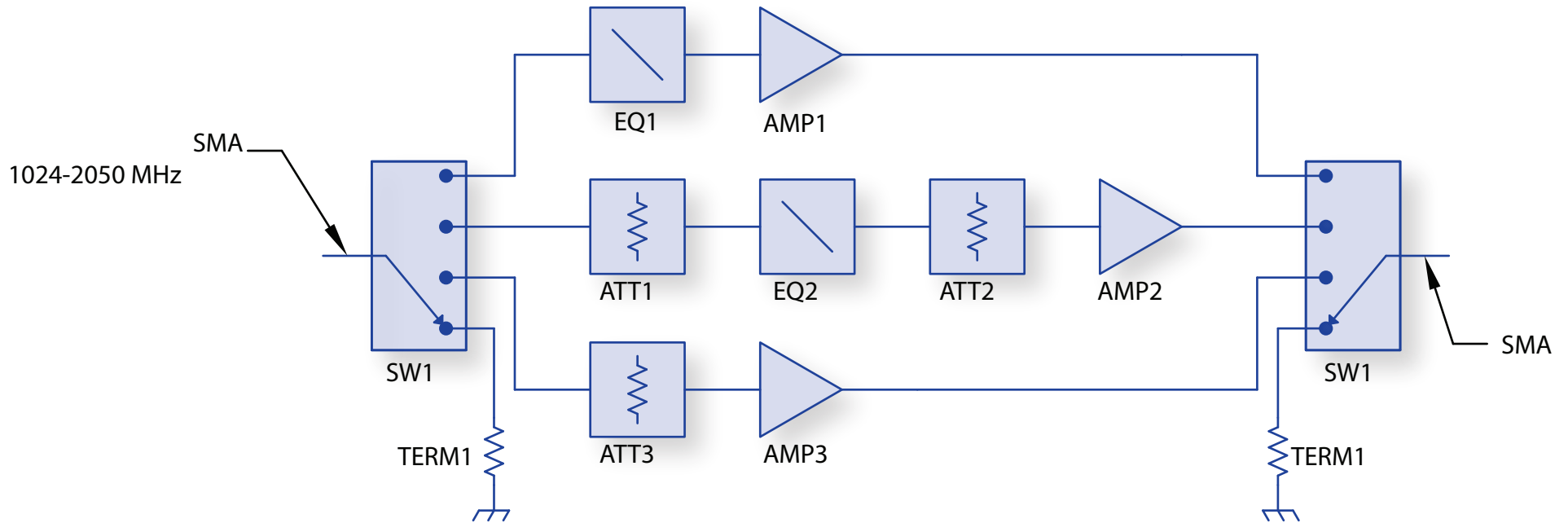


1-2 GHz GAIN/SLOPE EQUALIZER



Schematic Part No.	Sample Mini-Circuits Model Families
AMP1, AMP2, AMP3	PHA , GVA , GALI , LEE , ERA , MNA , MAR , RAM , VAM
ATT1, ATT2, ATT3	YAT , RCAT
EQ1, EQ2	VAEQ , REQ
SW1	JSW4 , GSWA
TERM1	N/A